



Online spare parts search

Are you looking for a spare part or parts? Use our online spare parts search to locate the right product quickly and easily.

spares.duravit.com



Professional portal

The Duravit portal for all architects, planners, and craftsmen. Here you can find all relevant information, such as technical drawings, CAD data, assembly instructions, etc.

pro.duravit.com

DURAVIT AG
78132 Hornberg
Germany
Phone +49 78 33 70 0
Fax +49 78 33 70 289
info@duravit.com
www.duravit.com



Best. Nr. 001279/06.0718.2.5.1. - Printed in Germany · We reserve the right to make technical improvements and changes to the appearance of the products shown.



In front of the wall: Original Duravit Design. Behind the wall: DuraSystem®.

DuraSystem® toilet frames:

Five different installation frames for dry and wet installation. Four actuator plates, mechanical and electronic.

DuraSystem® urinal frames:

Two installation frames: Standard (for exposed flushing valves, integrated sensor control and waterless urinals) and concealed flushing valves. Seven actuator plates for mechanical and electronic operation.

The DuraSystem® installation frames offer reliable concealed solutions for the toilet, urinal, wash-basin and bidet. For the most common installation scenarios, whether dry-wall or wet construction. Pre-assembled installation frames ensure quick, reliable and economical installation. Duravit gives bathroom designers and bathroom users the peace of mind that everything is perfectly harmonized, both on a functional and formal level.

This is also evident in the high-quality actuator plates that enable the DuraSystem® technology to be seen and experienced. The actuator plates are available for toilets and urinals with mechanical and electronic flush activation. With their clear, timelessly modern look they blend harmoniously into any bathroom environment.

With the DuraSystem® installation frames, matching actuator plates, and a comprehensive product range – ceramics, wellness technology, bathroom furniture and accessories – Duravit delivers technologically smart, full solutions from a single source, for new builds and renovation projects in the private, semi-public, and public areas. You can find suggestions for ideal product combinations under “Perfect fit” in this brochure.

DuraSystem® washbasin frames:

Three installation frames and accessories for all washbasin installations, also for wall-mounted faucets.

DuraSystem® bidet frame:

One installation frame for bidets, including matching accessories



The right product for any application.

Whether a large sanitary facility or a luxurious private bathroom, DuraSystem® toilet frames provide the perfect solution for any project and any budget:

- Actuator plates for mechanical or electronic operation
- Practical extras such as auto-flush, hygienic flush, nightlight, odour extraction
- Ideally matched to Duravit Rimless® flushing technology
- Prepared for combination with SensoWash® shower toilets



- Designed to match Duravit Rimless®
- SensoWash®-prepared (except for wet installation)
- Mechanical actuator plate A1 in white plastic, high-gloss chrome plastic, white tempered safety glass



Standard



- Designed to match Duravit Rimless®
- Prepared for SensoWash®
- Manual odour extraction
- Mechanical actuator plate A1 in white plastic, high-gloss chrome plastic, white tempered safety glass



Standard +



- Designed to match Duravit Rimless®
- Prepared for SensoWash®
- Integrated hygienic flush
- Auto-flush
- Nightlight
- Electronic actuator plate A2 in white tempered safety glass



Premium



- Designed to match Duravit Rimless®
- Prepared for SensoWash®
- Integrated hygienic flush and odour extraction
- Auto-flush
- Nightlight
- Electronic actuator plate A2 in white tempered safety glass



Premium +

Impressive technology, safe and efficient installation.

The DuraSystem® toilet frames for the highest standards, with especially convenient functions.

Whether in the project area or the private bathroom: No matter where wall-mounted toilets with mechanical flush actuation are to be installed, the self-supporting DuraSystem® installation frames offer the perfect technical starting point. The largely prefabricated installation frames enable rapid installation, and the open system ensures the utmost flexibility for laying any supply and drainage pipes.

Two installation frames are available for dry-wall installation, one of which features integrated ventilation for comfortable odour extraction, which is activated via a separate button (to be fitted on site) on the wall. Both products can also be prepared for the installation of a Duravit toilet with a SensoWash® shower toilet. A further variant is suitable for wetwall installation, for walling-in and bricking up in solid structures. Both the standard and wet installation frames can be equipped with a hygienic flush.

Perfect fit

- **DuraSystem® toilet frame Standard**
WD1001 000 000
- **DuraSystem® actuator plate A1**
High-gloss chrome
WD5001 021 000
- **ME by Starck wall-mounted toilet, Duravit Rimless®**
with HygieneGlaze 2.0, including Durafix
252909 20 00
- **Noise-reduction set** for wall-mounted toilet
005064 00 00
- **Toilet seat** with soft closing mechanism
002009 00 00
- **Karree brush set** Chrome
009957 10 00
- **Karree paper holder** Chrome
009955 10 00



DuraSystem® mechanical toilet frames



Toilet frame Standard
WD1001 000 000
In-wall cistern, maximum flushing volume 9.0 l, insulated against condensation, incl. SensoWash®-prepared. Operated from the front. Suitable for dry-wall installation.



Toilet frame with manual odour extraction
WD1002 000 000
In-wall cistern, maximum flushing volume 9.0 l, insulated against condensation, incl. SensoWash® preparation. Operated from the front. Suitable for dry-wall installation.



Toilet frame for wet installation
WD1005 000 000
In-wall cistern, maximum flushing volume 9.0 l, insulated against condensation, operated from the front. Suitable for wet installation.



DuraSystem® actuator plate A1, for toilet, white plastic
WD5001 011 000
2-volume flushing technology, mechanical operation from the front. Can be flush-fitted in combination with installation frame (except for wet installation).



DuraSystem® actuator plate A1, for toilet, plastic high-gloss chrome
WD5001 021 000
2-volume flushing technology, mechanical operation from the front. Can be flush-fitted in combination with installation frame (except for wet installation).



DuraSystem® actuator plate A1, for toilet, white tempered safety glass
WD5002 012 000
2-volume flushing technology, mechanical operation from the front.



Installation frame for A1 in white plastic
WD6001 011 000
Installation frame for A1 in plastic high-gloss chrome
WD6001 021 000
For flush-fit installation (except for wet installation).

Accessories



Soundproofing set for individual installation
WD6008 000 000
(except for wet installation)



Extension set 240 mm
WD6005 000 000
(except for wet installation)



Toilet connection set, elongated, 365 mm
WD6010 000 000



Pre-installation kit for mains operation
WD6004 000 000
Pre-installation kit is required during initial structural construction



Hygienic flush, battery operation
WD6003 000 000
Hygienic flush, mains operation
WD6002 000 000
Hygienic flush for standard and wet installation frame possible. Battery operation also suitable for retro-fitting.



— Tool-free installation of the transparent anti-tamper plate to enable inspection of the inside of the cistern and easy access to all components

— Flattened areas for optimum access for press tools, with rear or side water connection

— Flush volume can be set via waste outlet
— Configurable flush-flow choke for splash-free flushing, thanks to optimum flush action attuned to the toilet geometry
— Water connection with integrated angle valve and reinforced hose, factory-fitted and ready for connection, for quick and easy implementation

— Centre mark: Marking on the frame for easier frame alignment

— Rule mark: Marking on the frame for easier frame alignment

— Cistern CE-tested in accordance with EN 14055, insulated against condensation, filling level mark, 2-volume flushing technology
— Noise-tested under DIN 4109 and VDI 4100, in connection with the noise-reduction set # WD6008 000 000 (except for wet installation)

— Pre-fitted galvanized frame, self-supporting for dry-wall installation
— Light paneling with 2 × 12.5 mm plasterboard

— SensoWash®-prepared: Frame is prepared for shower toilet connection (except for wet installation)

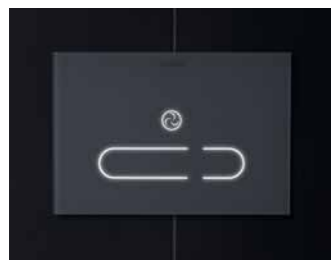
— Height-adjustable feet from 0–240 mm, rotating base plate for flexible floor-fixing options and firm footing

Best in class when it comes to hygiene, comfort and design.

Hygienic flush: Ideal for the semi-public and public area, and also enhances hygiene in private bathrooms: The DuraSystem® installation frames for toilets with electronic flush actuation. To avoid stagnant water and the possibility of increased formation of germs, hygienic flushes are triggered automatically at given intervals. These intervals and the flushing water volumes can be adjusted as required. Mechanical toilet frames can also be retrofitted with hygienic flush.

Odour extraction: The toilet frame with the quiet fan for better air quality: Odours are extracted from the toilet before they can spread. Because odours are extracted directly through the toilet flush pipe, no additional exhaust air ducting is needed. The system is not only low-noise, it also works without filters, meaning that no costs are incurred for filter exchange or maintenance. Odour extraction can be activated either manually or via automatic user detection.

The DuraSystem® A2 actuator plate for electronic toilet frames holds its own in both formal and functional terms: Made from high-quality ESG glass, it is equipped with a sensor system that also enables contact-free operation. When someone approaches, the operating symbols on the plate are softly illuminated.



If the nightlight function is activated, the illumination switches on or off automatically depending on the ambient brightness. This means that the operating symbols on the actuator plate are permanently illuminated in the dark.

Perfect fit

- **DuraSystem® toilet frame** with hygienic flush and odour extraction # WD1004 000 000
- **DuraSystem® actuator plate A2** white tempered safety glass # WD5001 012 000
- **ME by Starck wall-mounted toilet, Duravit Rimless®** connecting elements for SensoWash® included, with HygieneGlaze 2.0, including Durafix # 252959 20 00
- **Noise-reduction set** for wall-mounted toilet (optional) # 005064 00 00
- **SensoWash® Slim shower toilet seat** # 611000 00 2 00 4300
- **Connection set for SensoWash® Slim** for connection in the cistern # 100691 00 00
- **Karree brush set Chrome** # 009957 10 00
- **Karree paper holder Chrome** # 009955 10 00



— DuraSystem® actuator plate A2

— Intuitively-operated remote control for SensoWash® Slim

— Karree accessories

— SensoWash® Slim shower toilet seat with night light function

— Duravit Rimless® flushing technology for hygienically perfect flushing results

— Soundproofing set
— Durafix, the patented, concealed attachment system for particularly fast installation

— HygieneGlaze 2.0 antibacterial glaze baked into the ceramic during firing

— ME by Starck wall-mounted toilet

— Easy to clean thanks to floor clearance

DuraSystem® electronic toilet frames



Toilet frame with integrated hygienic flush

WD1003 000 000

Pre-installation kit incl. concealed power supply, in-wall cistern, maximum flushing volume 9.0 l, insulated against condensation, incl. SensoWash®-prepared. Operated from the front. Suitable for dry-wall installation.



Toilet frame with hygienic flush and odour extraction

WD1004 000 000

Odour extraction with integrated fan, manual or automatic activation. Pre-installation kit incl. concealed power supply, in-wall cistern, maximum flushing volume 9.0 l, insulated against condensation, incl. SensoWash® preparation. Operated from the front. Suitable for dry-wall installation.

Accessories



Extension set 240 mm
WD6005 000 000



Noise-reduction set for individual installation
WD6008 000 000



Toilet connection set, elongated, 365 mm
WD6010 000 000



DuraSystem® actuator plate A2, for toilet, white tempered safety glass

WD5003 012 000

Unique in form and function:

Thanks to its clear, straight-lined design, the A2 actuator plate harmonizes perfectly with the design of the Duravit toilets. The basic functions can be activated contact-free via sensors or through touch.

Basic features:

Activation of the flushing water volume (large/small), odour extraction (on/off) (only in combination with # WD1004 000 000).

Additional features:

Auto-flush, hygienic flush, nightlight, cleaning function, locking function.

Further information see page 40.



The light switches off in stand-by mode.



— Tool-free installation of the transparent anti-tamper plate to enable inspection of the inside of the cistern and easy access to all components

— Integrated fan for odour extraction (only in combination with # WD1004 000 000)

— Flush volume can be set via remote control
— Configurable flush-flow choke for splash-free flushing, thanks to optimum flush action attuned to the toilet geometry
— Water connection with integrated angle valve and reinforced hose, factory-fitted and ready for connection, for quick and easy implementation

— Centre mark: Marking on the frame for easier frame alignment

— Rule mark: Marking on the frame for easier frame alignment

— Cistern CE-tested in accordance with EN 14055, insulated against condensation, filling level mark, 2-volume flushing technology
— Noise-tested under DIN 4109 and VDI 4100, in connection with the noise-reduction set # WD6008 000 000

— Pre-fitted galvanized frame, self-supporting for dry-wall installation
— Light paneling with 2 × 12.5 mm plasterboard

— SensoWash®-prepared: Frame is prepared for shower toilet connection

— Height-adjustable feet from 0 – 240 mm, rotating base plate for flexible floor-fixing options and firm footing

The flexible solution for every project.

No public or semi-public sanitary facility is complete without a urinal. Similarly, they are becoming increasingly popular in high-end private bathrooms. The appropriate DuraSystem® installation frames ensure safe and reliable technology behind the wall. The range comprises a version for concealed flushing valves and a standard frame that can be combined with waterless urinals, urinals for exposed flushing valves, and urinals with integrated sensor control.

The applications for the urinal frame for concealed flushing valves are extremely flexible as it can be activated both with actuator plates with manual flush actuation and also via infrared proximity electronics. The electronic variant is available both as a battery-operated and a mains-powered version. The frame is also suitable for urinals with water inlet from behind. It is quick and easy to install, guaranteeing a high level of flexibility for any project.

The highest level of functionality is also called for in front of the wall, and that's ensured by suitable surface-mounted actuator plates. The electronic actuator plates A2 are also suitable for use with urinals with a cover.

Perfect fit

- **DuraSystem® urinal frame** for the concealed flushing valve
WD3002 000 000
- **DuraSystem® actuator plate A2** for urinal, mains operation, die-cast zinc in high-gloss chrome
WD5007 023 000
- **ME by Starck urinal, Duravit Rimless®** Inlet from behind, with HygieneGlaze 2.0, including attachment
280930 20 00
- **Siphon urinal**
005113 00 00



— HygieneGlaze 2.0 antibacterial glaze baked into the ceramic during firing

— DuraSystem® actuator plate A2, mains operation
— Contact-free activation thanks to infrared proximity electronics
— Die-cast zinc in high-gloss chrome, vandal-proof

— 0.5 litre Rimless urinal ME by Starck with open rim for powerful water flow and a fast, hygienic flush

— Also available with a urinal cover as well as an optional target fly, for shorter cleaning times and enhanced cleanliness in the semi-public area

DuraSystem® urinal frames



Urinal frame standard
WD3001 000 000
Infinitely adjustable crossbars.
Suitable for dry-wall installation.



Urinal frame for concealed flushing valve
WD3002 000 000
Cross bar with concealed plastic housing and quick-fitting system. Infinitely adjustable crossbars.
Suitable for dry-wall installation.

Accessories



Extension set 240 mm
WD6005 000 000



Noise-reduction set for individual installation
WD6008 000 000

Mechanical actuator plates:
Plastic material, configurable flushing valve, mechanical operation from the front, for surface-mounted installation.

Electronic actuator plates:
Contact-free, infrared-controlled flush activation from the front, material die-cast zinc, vandal-proof, protection class IPX4, suitable for urinals with cover, membrane keypad for setting basic functions: flushing time, pre-flush, hygienic flush, response area. IR remote control for further settings. Power supply 100-240 VAC 50/60 Hz, solenoid valve

Battery operation:
Battery module 6 Volt, solenoid valve. Suitable for surface-mounted installation.



DuraSystem® actuator plate A1, for urinal, white plastic
WD5004 011 000



DuraSystem® actuator plate A1, for urinal, plastic high-gloss chrome
WD5004 021 000



DuraSystem® actuator plate A1, for urinal, white tempered safety glass
WD5005 012 000



DuraSystem® actuator plate A2, for urinal, battery operation, die-cast zinc white
WD5006 013 000



DuraSystem® actuator plate A2, for urinal, battery operation, die-cast zinc high-gloss chrome
WD5006 023 000



DuraSystem® actuator plate A2, for urinal, mains operation, die-cast zinc white
WD5007 013 000



DuraSystem® actuator plate A2, for urinal, mains operation, die-cast zinc high-gloss chrome
WD5007 023 000



— Actuator plate with adjustable flush volume

— Centre mark: Marking on the frame for easier frame alignment

— Crossbar with pre-assembled concealed cistern and quick-fitting system

— Rule mark: Marking on the frame for easier frame alignment

— Low-noise installation in connection with the noise-reduction set
WD6008 000 000

— Pre-fitted galvanized frame, self-supporting for dry-wall installation
— Light paneling with 2 × 12.5 mm plasterboard

— Height-adjustable feet from 0-240 mm, rotating base plate for flexible floor-fixing options and firm footing

Ideal starting point for a wide range of applications.

Whether in a private bathroom, in the public or semi-public area: The DuraSystem® washbasin frames are a solid technical starting point for practically all applications. The washbasin frame Standard is compatible with almost all Duravit washbasins, e.g. siphon cover or design siphon. The DuraSystem® washbasin frame special with wooden crossbar affords the greatest possible flexibility for washbasins with typical installation dimensions and washbasins with a pedestal. A frame suitable for combination with a wall-mounted faucet is also available. Rapid and simple fitting guaranteed, for all variants.

The Duravit faucet ranges are also perfectly harmonized with the DuraSystem® installation frames and Duravit washbasins: Whether iconic and straight-lined like C.1, elegant and timeless like B.1 or contemporary and pared-down like B.2: A comprehensive range covers all stylistic preferences and washing-area plans.



C.1 Single lever washbasin mixer in four sizes, available as a three-hole faucet and wall-mounted version



B.1 Single lever washbasin mixer in two sizes



B.2 Single lever washbasin mixer in two sizes

Perfect fit

- **DuraSystem® washbasin frame Standard**
WD1001 000 000
- **ME by Starck washbasin 600 mm**
with WonderGliss
233560 00 001
- **C.1 Single lever washbasin mixer M Chrome**
with pop-up waste set
C11020 0010 10
- **Design siphon**
005113 00 00
- **Siphon cover**
085840 00 00
- **Quick-fitting system**
005503 00 00
- **Mirror 600 mm width**
LM7815
- **Karree towel holder Chrome**
009958 10 00
- **Karree glass holder Chrome**
009951 10 00



— Mirror with all-round LED indirect light and sensor switch

— C.1 faucets
Design by Kurt Merki Jr.

— Karree accessories

— ME by Starck washbasin

— Alternative – design siphon instead of siphon cover

DuraSystem® washbasin frames



Washbasin frame Standard
WD2001 000 000
Compatible with Duravit washbasins, with the standard attachment dimensions:
Angle valve distance 80–150 mm, threaded bolt distance 280 mm or 150–240 mm in the inset slot. Attachment dimensions can be configured via a metal crossbar. Infinitely adjustable crossbars.



Washbasin frame Special
WD2002 000 000
Compatible with Duravit washbasins, with different attachment dimensions:
Angle valve distance 80–290 mm, hanger bolt distance 50–330 mm, e.g. for handrinse basins with hanger bolt distance < 150 mm or washbasins with a pedestal. Attachment dimensions can be configured via a wooden crossbar. Infinitely adjustable crossbars.



Washbasin frame for wall-mounted faucets
WD2003 000 000
For ceramic washbasins without tap hole, wall-mounted faucets can be attached via a wooden crossbar. Infinitely adjustable crossbars.

Accessories



Noise-reduction set for individual installation
WD6008 000 000



Extension set 240 mm
WD6005 000 000



Support for expansion element
WD6007 000 000



Expansion element
WD6006 000 000



— Rule mark: Marking on the frame for easier frame alignment

— Centre mark: Marking on the frame for easier frame alignment

— Low-noise installation in connection with the noise reduction set # WD6008 000 000

— Pre-fitted galvanized frame, self-supporting for dry-wall installation
— Light paneling with 2 × 12.5 mm plasterboard

— Height-adjustable feet from 0–240 mm, rotating base plate for flexible floor-fixing options and firm footing

Perfect solution for extra hygiene.

Whether a premium hotel room or high-quality private bathroom: If there's enough space, a bidet affords additional hygienic comfort. The DuraSystem® bidet frame provides an ideal and safe solution for affixing all wall-mounted bidet solutions. Additionally, the installation frame enables particularly quick and easy installation.

Matching Duravit faucets round things off nicely. C.1, B.1 and B.2 represent three single lever bidet mixers in various designs.



C.1 Single lever bidet mixer



B.1 Single lever bidet mixer



B.2 Single lever bidet mixer

Perfect fit

- DuraSystem® bidet frame
WD4001 000 000
- ME by Starck wall-mounted bidet
with WonderGliss, including Durafix
228815 00 001
- C.1 Single lever bidet mixer
with pop-up waste set
C12400 0010 10
- Karree towel ring Chrome
009961 10 00
- Karree soap dish Chrome
009952 10 00



— C.1 bidet faucets
Design by Kurt Merki Jr.

— Karree accessories

— ME by Starck
wall-mounted bidet

— Durafix, the patented, concealed
attachment system for particularly
fast installation

DuraSystem® bidet frame



Bidet frame
WD4001 000 000
Infinitely adjustable crossbars.
Suitable for dry-wall installation.

Accessories



Noise-reduction set for individual installation
WD6008 000 000



Extension set 240 mm
WD6005 000 000



— Rule mark: Marking on the frame for easier frame alignment

— Centre mark: Marking on the frame for easier frame alignment

— Pre-fitted galvanized frame, self-supporting for dry-wall installation
— Light paneling with 2 × 12.5 mm plasterboard

— Low-noise installation in connection with the noise-reduction set
WD6008 000 000

— Height-adjustable feet from 0 - 240 mm, rotating base plate for flexible floor-fixing options and firm footing

General technical information.



Dry-wall installation in front of solid wall



Dry-wall installation in a plasterboard wall frame



Wet installation

Types of installation

DuraSystem® installation frames are available for a range of installation types. The high degree of prefabrication and integrated expertise enable quick and easy installation.

As open systems they guarantee the utmost flexibility for the installation of all supply and drainage pipes.

Dry-wall installation

- For wall-mounted toilet installations for individual installation in front of solid wall or individual installation in a plasterboard wall (including wooden wallboard)
- Toilet frame incl. SensoWash®-prepared
- Insulated against condensation
- Mechanical and electronic operation from the front, wet installation

Wet installation (toilet frame)

- For wall-mounted toilet installation in solid structures, for wall-in and bricking up
- Without SensoWash® preparation
- Insulated against condensation
- Mechanical operation from the front

Equipment and functions.

Standard equipment on all installation frames:



Height-adjustable feet from 0–240 mm, raised floor constructions up to a maximum of 480 mm with accessories (# WD6005 000 000) can be realized



Rotating base plate for flexible floor-fixing options and firm footing for plasterboard lightweight profiles UW 50 and UW 75



Adjustable wall bracket



Infinitely adjustable, height-adjustable crossbars



Rule mark (FF + 1 m) and centre mark: Markings on the frame for easier frame alignment

Special equipment on certain models:



Optimum access when using a press tool thanks to flattened areas at the appropriate point, with rear or side water connection



Crossbar with prefitted, concealed plastic housing and quick-fitting system for urinal frame



Toilet frame is prepared for connection of SensoWash® shower toilets



Hygienic flush: Frequency, time interval and number of intermediate flushes can be configured



Frame is prepared for electronic actuator plate



Toilet frame with fan: Odours are extracted directly from the toilet. Can be combined with all mechanical and electronic actuator plates

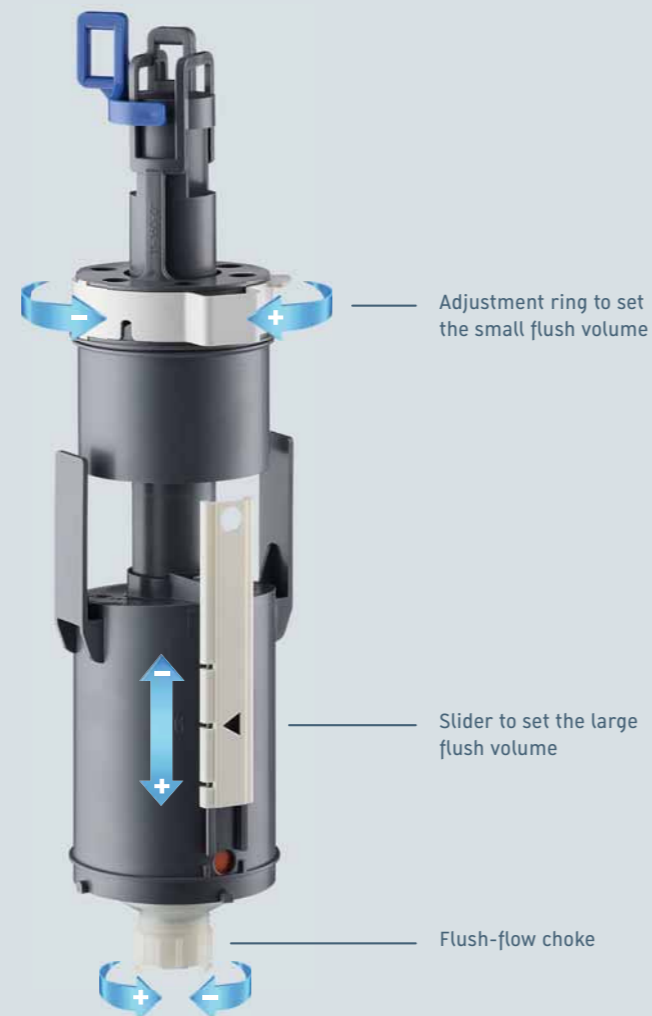
Flexible adjustment options: Flush volume and flush flow.

Generous or sparing: Individually adjustable flushing volumes.

Depending on user needs, the flushing volumes can be individually adjusted via the waste outlet (mechanical variant) or remote control (electronic variant).
Large flush volume: Factory setting approx. 6 litres, can be adjusted to max. 7 litres and min. 4.5 litres (+/- 0.1 litres).
Small flush volume: Factory settings from 3 litres, can be adjusted. In the event of problematic waste pipes, the flush volume can be increased via a simple setting on the waste outlet.

Perfectly configured flush flow: thanks to flush-flow choke.

Regardless of the toilet model, the flush flow can be individually adjusted without reducing the flush volume. If necessary, the integrated flush-flow choke even enables the flush flow to be reduced after installation. The flush flow can be reduced via a simple rotation.



Splash-free flushing thanks to a perfect flush flow

Product description

Toilet frame

- Pre-assembled toilet frame for wall-mounted toilet
- Self-supporting
- For dry-wall installation
- Suitable for paneling with plasterboard
- Galvanized frame
- Height-adjustable feet 0 – 240 mm
- SensoWash® prepared
- Mechanical operation from the front
- Flattened areas for optimum access for press tools
- Rule mark and centre mark
- Tool-free fitting of the transparent anti-tamper plate
- Noise-tested pursuant to DIN 4109 and VDI 4100

Cistern

- In-wall cistern CE-tested in accordance with EN 14055
- Maximum flushing volume 9.0 l
- Filling level mark
- 2-volume flushing technology
- Adjustable flushing volumes
- Insulated against condensation
- Flush-flow choke to regulate the flush flow

Supplied

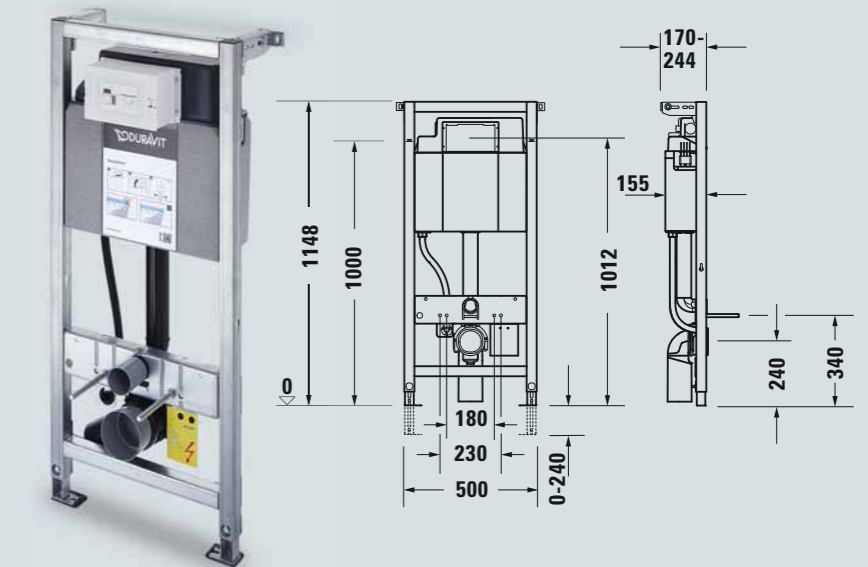
- PE wall-mounted toilet outlet bend DN 90/90
- PE wall-mounted toilet connection fittings DN 90
- Wall-mounted toilet attachment set M12
- Installation accessories for installation in a plasterboard wall frame
- Installation accessories for individual installation
- PE reducer DN 90/110 for outlet bend

Further information on the product see page 6

In addition to standard equipment:



SensoWash®-prepared



DuraSystem® installation frame

Toilet frame, Standard	# WD1001 000 000
------------------------	------------------

Matching accessories

Flush-mounted installation frame, for plastic white	# WD6001 011 000
Flush-mounted installation frame, for plastic high-gloss chrome	# WD6001 021 000
Hygienic flush, battery operation	# WD6003 000 000
Hygienic flush, mains operation	# WD6002 000 000
Pre-installation kit, for hygienic flush, mains operation	# WD6004 000 000
Extension set 240 mm	# WD6005 000 000
Noise-reduction set for individual installation	# WD6008 000 000
Wall-mounted toilet connection set, elongated, 365 mm	# WD6010 000 000

Matching actuator plates



DuraSystem® actuator plate A1, for toilet, plastic white
WD5001 011 000



DuraSystem® actuator plate A1, for toilet, white tempered safety glass
WD5002 012 000



DuraSystem® actuator plate A1, for toilet, plastic high-gloss chrome
WD5001 021 000

Note

- Noise-reduction set # WD6008 000 000 is only required in the event of enhanced acoustic specifications.
- Actuator plate A1 in plastic for flush-mounting (except for wet installation), installation frame to be ordered separately. Suitable for dry-wall paneling with a minimum thickness of 25 mm, flush-mounted installation frame is required during initial structural construction.
- For the installation of a hygienic flush with mains operation, the pre-installation kit # WD6004 000 000 is required during initial structural construction.

DuraSystem® toilet frame Manual odour extraction

Product description

Toilet frame

- Pre-assembled toilet frame for wall-mounted toilet
- Self-supporting
- For dry-wall installation
- Suitable for paneling with plasterboard
- Galvanized frame
- Height-adjustable feet 0 – 240 mm
- SensoWash® prepared
- Mechanical operation from the front
- Rule mark and centre mark
- Tool-free fitting of the transparent anti-tamper plate
- Noise-tested pursuant to DIN 4109 and VDI 4100
- Odour extraction with integrated fan
- Manual fan activation
- Leak-tight check valve

Cistern

- In-wall cistern CE-tested in accordance with EN 14055
- Maximum flushing volume 9.0 l
- Filling level mark
- 2-volume flushing technology
- Adjustable flushing volumes
- Insulated against condensation
- Flush-flow choke to regulate the flush flow

Supplied

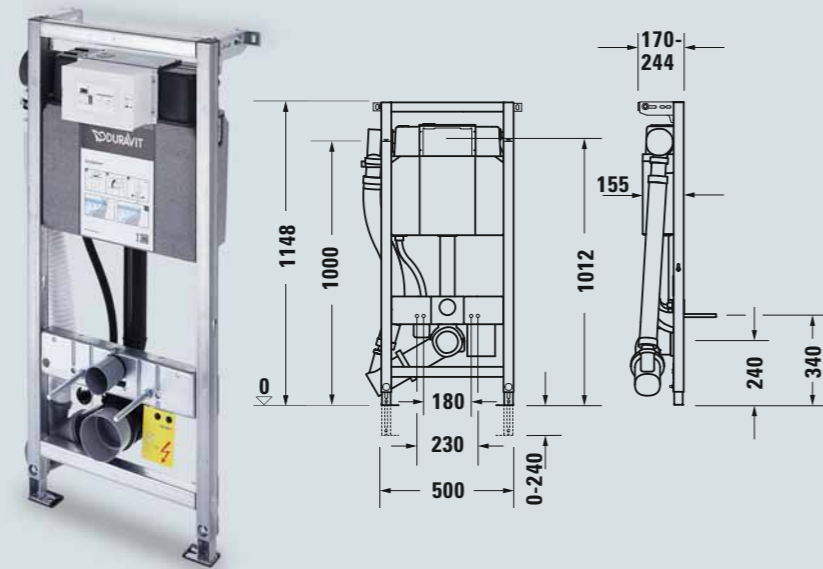
- Pre-installation kit incl. concealed power supply 100 – 240 V AC/24 V DC
- PE wall-mounted toilet outlet bend DN 90/90
- PE wall-mounted toilet connection fittings DN 90
- Wall-mounted toilet attachment set M12
- Installation accessories for installation in a plasterboard wall frame
- Installation accessories for individual installation
- PE reducer DN 90/110 for outlet bend

Further information on the product see page 6

In addition to standard equipment:



SensoWash®-prepared



DuraSystem® installation frame

Toilet frame with manual odour extraction	# WD1002 000 000
---	------------------

Matching accessories

Flush-mounted installation frame, for plastic white	# WD6001 011 000
Flush-mounted installation frame, for plastic high-gloss chrome	# WD6001 021 000
Extension set 240 mm	# WD6005 000 000
Noise-reduction set for individual installation	# WD6008 000 000
Wall-mounted toilet connection set, elongated, 365 mm	# WD6010 000 000

Matching actuator plates



DuraSystem® actuator plate A1, for toilet, plastic white
WD5001 011 000



DuraSystem® actuator plate A1, for toilet, white tempered safety glass
WD5002 012 000



DuraSystem® actuator plate A1, for toilet, plastic high-gloss chrome
WD5001 021 000

Note

- Noise-reduction set # WD6008 000 000 is only required in the event of enhanced acoustic specifications.
- A switch in must be fitted on site in order to use the odour extraction for the toilet frame with manual odour extraction. Due to the low fan performance and the associated limited exhaust air volume flow, the odour extraction is not a substitute for room ventilation in accordance with DIN 18017.
- Odour extraction cannot be combined with ceramics # 254609, # 021009, # 221509.
- Actuator plate A1 in plastic for flush-mounting (except for wet installation), installation frame to be ordered separately. Suitable for dry-wall paneling with a minimum thickness of 25 mm, flush-mounted installation frame is required during initial structural construction.

DuraSystem® toilet frame for wet installation

Product description

Toilet frame

- Pre-assembled toilet frame for wall-mounted toilet
- Flattened areas for optimum access for press tools
- Mechanical operation from the front
- Tool-free fitting of the transparent anti-tamper plate
- For wall-in and bricking up
- Galvanized steel strip

Cistern

- In-wall cistern CE-tested in accordance with EN 14055
- Maximum flushing volume 9.0 l
- Filling level mark
- 2-volume flushing technology
- Adjustable flushing volumes
- Insulated against condensation
- Flush-flow choke to regulate the flush flow

Supplied

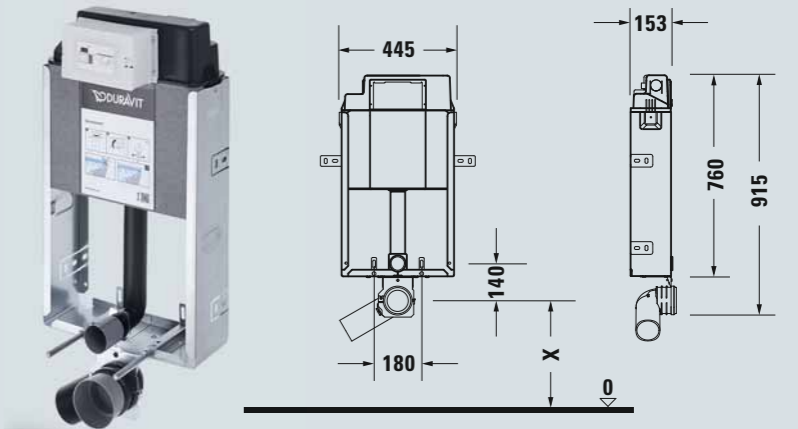
- PE wall-mounted toilet outlet bend DN 90/90
- PE wall-mounted toilet connection fittings DN 90
- Wall-mounted toilet attachment set M12
- PE reducer DN 90/110 for outlet bend

Further information on the product see page 6

In addition to standard equipment:



Optimum access



DuraSystem® installation frame

Toilet frame for wet installation	# WD1005 000 000
-----------------------------------	------------------

Matching accessories

Hygienic flush, battery operation	# WD6003 000 000
Hygienic flush, mains operation	# WD6002 000 000
Pre-installation kit, for hygienic flush, mains operation	# WD6004 000 000
Wall-mounted toilet connection set, elongated, 365 mm	# WD6010 000 000

Matching actuator plates



DuraSystem® actuator plate A1, for toilet, plastic white
WD5001 011 000



DuraSystem® actuator plate A1, for toilet, white tempered safety glass
WD5002 012 000



DuraSystem® actuator plate A1, for toilet, plastic high-gloss chrome
WD5001 021 000

Note

- For the installation of a hygienic flush with mains operation, the pre-installation kit # WD6004 000 000 is required during initial structural construction.

DuraSystem® toilet frame with integrated hygienic flush

Product description

Toilet frame

- Pre-assembled toilet frame for wall-mounted toilet
- Integrated hygienic flush
- Self-supporting
- For dry-wall installation
- Suitable for paneling with plasterboard
- Galvanized frame
- Height-adjustable feet 0 – 240 mm
- SensoWash® prepared
- Electronic operation from the front
- Flattened areas for optimum access for press tools
- Rule mark and centre mark
- Tool-free fitting of the transparent anti-tamper plate
- Noise-tested pursuant to DIN 4109 and VDI 4100

Cistern

- In-wall cistern CE-tested in accordance with EN 14055
- Maximum flushing volume 9.0 l
- Filling level mark
- 2-volume flushing technology
- Adjustable flushing volumes
- Insulated against condensation
- Flush-flow choke to regulate the flush flow

Supplied

- Pre-installation kit incl. concealed power supply 100 – 240 V AC/24 V DC
- PE wall-mounted toilet outlet bend DN 90/90
- PE wall-mounted toilet connection fittings DN 90
- Wall-mounted toilet attachment set M12
- Installation accessories for installation in a plasterboard wall frame
- Installation accessories for individual installation
- PE reducer DN 90/110 for outlet bend

Further information on the product see page 10

In addition to standard equipment:



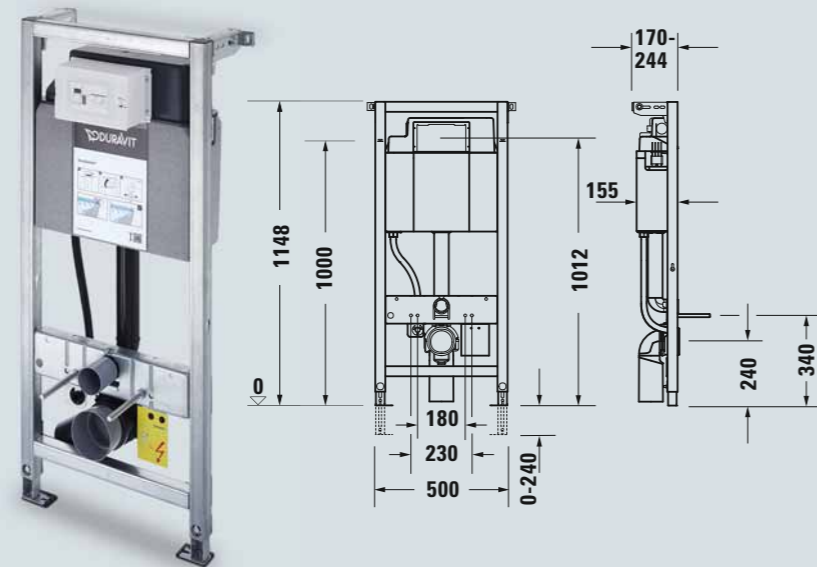
Electronic control



SensoWash®-prepared



Optimum access



DuraSystem® installation frame

Toilet frame with hygienic flush	# WD1003 000 000
----------------------------------	------------------

Matching accessories

Extension set 240 mm	# WD6005 000 000
Noise-reduction set for individual installation	# WD6008 000 000
Wall-mounted toilet connection set, elongated, 365 mm	# WD6010 000 000

Matching actuator plates



Actuator plate A2, for toilet, white tempered safety glass
WD5003 012 000

Note

- Noise-reduction set # WD6008 000 000 is only required in the event of enhanced acoustic specifications.
- The detection zone for user recognition can be set via remote control.

DuraSystem® toilet frame with hygienic flush and odour extraction

Product description

Toilet frame

- Pre-assembled toilet frame for wall-mounted toilet
- Integrated hygienic flush
- Self-supporting
- For dry-wall installation
- Suitable for paneling with plasterboard
- Galvanized frame
- Height-adjustable feet 0 – 240 mm
- SensoWash®-prepared
- Electronic operation from the front
- Rule mark and centre mark
- Tool-free fitting of the transparent anti-tamper plate
- Noise-tested pursuant to DIN 4109 and VDI 4100
- Odour extraction with integrated fan
- Electronic fan activation via user detection or manually via actuator plate
- Leak-tight check valve

Cistern

- In-wall cistern CE-tested in accordance with EN 14055
- Maximum flushing volume 9.0 l
- Filling level mark
- 2-volume flushing technology
- Adjustable flushing volumes
- Insulated against condensation
- Flush-flow choke to regulate the flush flow

Supplied

- Pre-installation kit incl. concealed power supply 100 – 240 V AC/24 V DC
- PE wall-mounted toilet outlet bend DN 90/90
- PE wall-mounted toilet connection fittings DN 90
- Wall-mounted toilet attachment set M12
- Installation accessories for installation in a plasterboard wall frame
- Installation accessories for individual installation
- PE reducer DN 90/110 for outlet bend

Further information on the product see page 10

In addition to standard equipment:



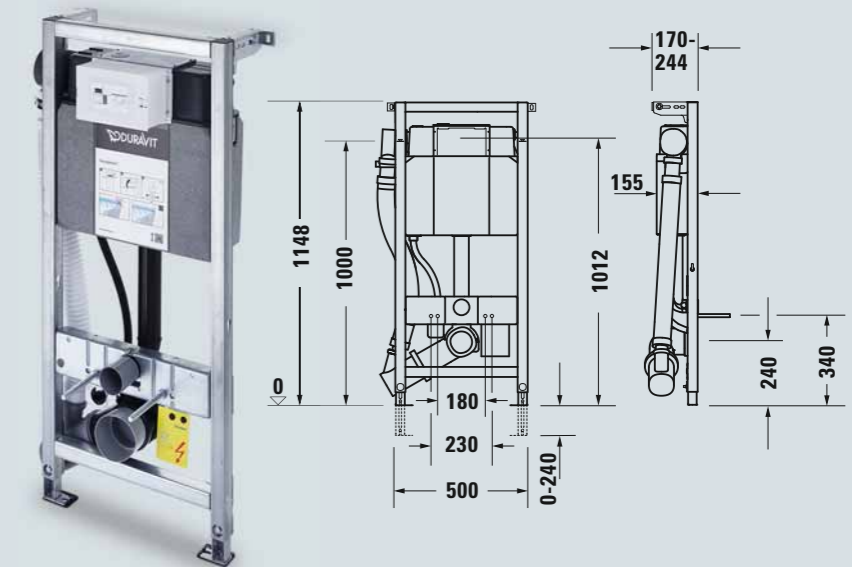
Electronic control



SensoWash®-prepared



Odour extraction



DuraSystem® installation frame

Toilet frame with hygienic flush and odour extraction	# WD1004 000 000
---	------------------

Matching accessories

Extension set 240 mm	# WD6005 000 000
Noise-reduction set for individual installation	# WD6008 000 000
Wall-mounted toilet connection set, elongated, 365 mm	# WD6010 000 000

Matching actuator plates



Actuator plate A2, for toilet, white tempered safety glass
WD5003 012 000

Note

- Noise-reduction set # WD6008 000 000 is only required in the event of enhanced acoustic specifications.
- Due to the low fan performance and the associated limited exhaust air volume flow, the odour extraction is not a substitute for room ventilation in accordance with DIN 18017.
- Odour extraction cannot be combined with ceramics # 254609, # 021009, # 221509.
- The detection zone for user recognition can be set via remote control.

DuraSystem® urinal frame Standard

Product description

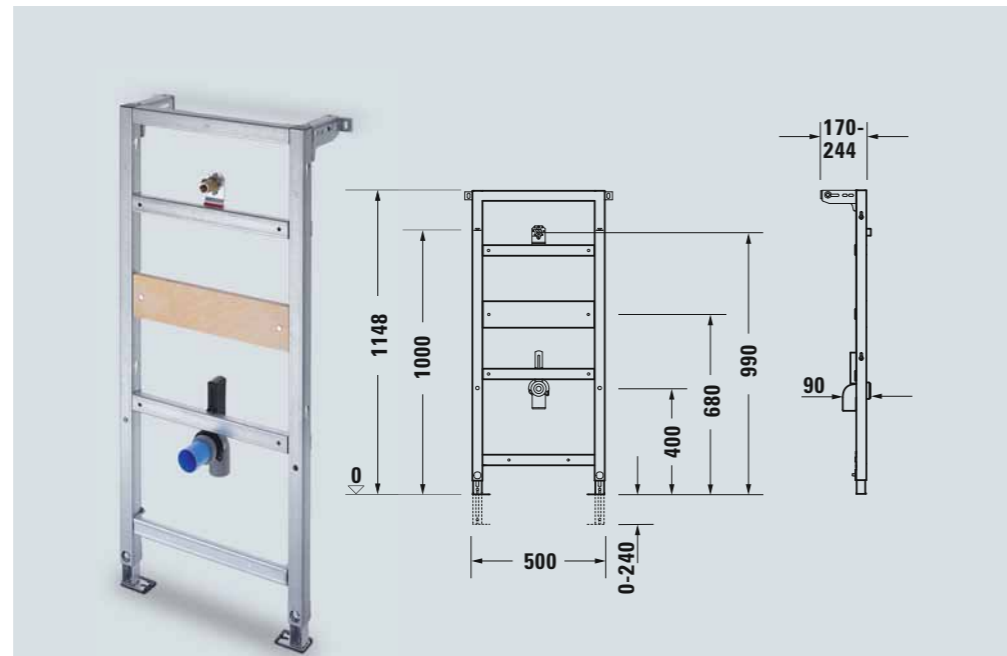
Urinal frame

- Pre-assembled urinal frame
- For waterless urinals, urinals for exposed flushing valves, urinals with integrated sensor control
- Wooden crossbar for flexible attachment of the ceramic appliance
- Self-supporting
- For dry-wall installation
- Suitable for paneling with plasterboard
- Galvanized frame
- Height-adjustable feet 0 – 240 mm
- Rule mark and centre mark
- Crossbars are height-adjustable
- Suitable for mechanical/electronic exposed flushing valves

Supplied

- Hanger bolts M8
- Pan-head screws 5.0 × 16 mm
- Noise-insulation mat G½
- Outlet pipe clamp DN 50
- HT outlet bend DN 50/40
- Fastening bracket for DuraStyle Urinal
- Installation accessories for installation in a plasterboard wall frame
- Installation accessories for individual installation

Further information on the product see page 14



DuraSystem® installation frame

Urinal frame Standard	# WD3001 000 000
-----------------------	------------------

Matching accessories

Extension set 240 mm	# WD6005 000 000
Noise-reduction set for individual installation	# WD6008 000 000

Note

- Noise-reduction set # WD6008 000 000 is only required in the event of enhanced acoustic specifications.

DuraSystem® urinal frame for concealed flushing valve

Product description

Urinal frame

- Pre-assembled urinal frame
- For urinals with water inlet from the rear
- Wooden crossbar for flexible attachment of the ceramic appliance
- Cross bar with concealed plastic housing and quick-fitting system
- Self-supporting
- For dry-wall installation
- Suitable for paneling with plasterboard
- Galvanized frame
- Height-adjustable feet 0 – 240 mm
- Rule mark and centre mark
- Crossbars are height-adjustable
- Suitable for mechanical/electronic actuator plates

Concealed plastic housing

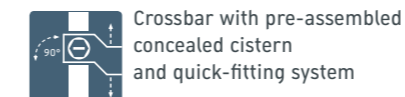
- Universal plastic housing for urinal control including construction cover
- Mains connection terminal 100 – 240 VAC 50/60 Hz

Supplied

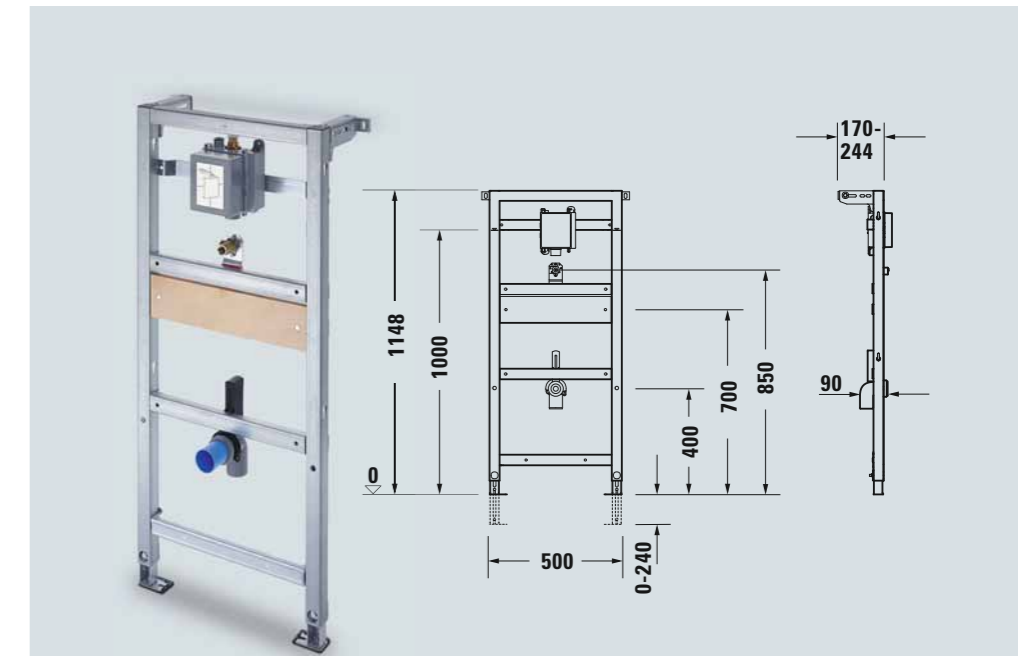
- Hanger bolts M8
- Noise-insulation mat G½
- Outlet pipe clamp DN 50
- HT outlet bend DN 50/40
- Reinforced hose R½
- Inlet connector G½A with lip seal
- Installation accessories for installation in a plasterboard wall frame
- Installation accessories for individual installation

Further information on the product see page 14

In addition to standard equipment:



Crossbar with pre-assembled concealed cistern and quick-fitting system



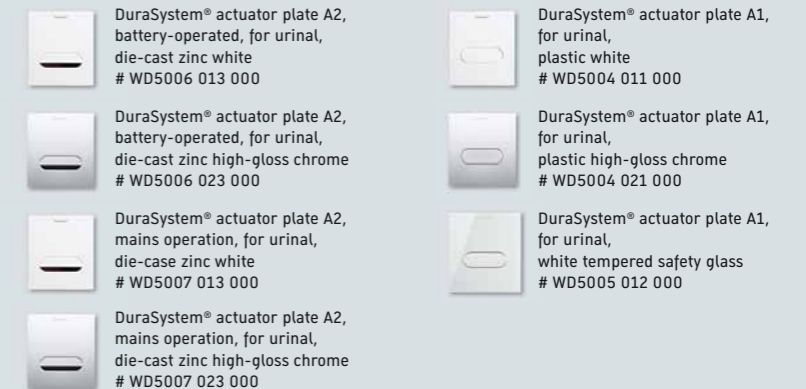
DuraSystem® installation frame

Urinal frame for concealed flushing valve	# WD3002 000 000
---	------------------

Matching accessories

Extension set 240 mm	# WD6005 000 000
Noise-reduction set for individual installation	# WD6008 000 000

Matching actuator plates



Note

- Noise-reduction set # WD6008 000 000 is only required in the event of enhanced acoustic specifications.
- The configurable flushing technology is supplied with the actuator plates.
- The detection zone for user recognition can be set via remote control.
- Urinal actuator plates A2 are suited to urinals with covers.

DuraSystem® washbasin frame Standard

Product description

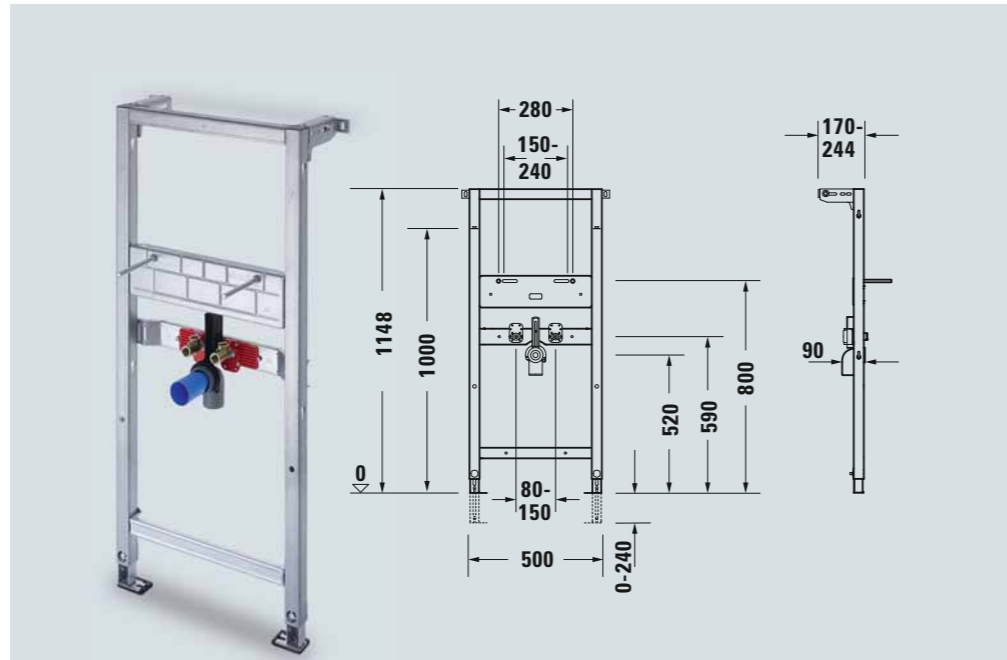
Washbasin frame

- Pre-assembled washbasin frame
- Metal crossbar for attaching ceramic appliance
- Self-supporting
- For dry-wall installation
- Suitable for paneling with plasterboard
- Galvanized frame
- Height-adjustable feet 0 – 240 mm
- Rule mark and centre mark
- Crossbars are height-adjustable

Supplied

- Threaded bolts M10
- Noise-insulation mats G½
- Outlet pipe clamp DN 50
- HT outlet bend DN 50/40
- Installation accessories for installation in a plasterboard wall frame
- Installation accessories for individual installation

Further information on the product see page 18



DuraSystem® installation frame

Washbasin frame Standard	# WD2001 000 000
--------------------------	------------------

Matching accessories

Extension set 240 mm	# WD6005 000 000
Noise-reduction set for individual installation	# WD6008 000 000
Expansion element	# WD6006 000 000
Support for expansion element	# WD6007 000 000

Note

— Noise-reduction set # WD6008 000 000 is only required in the event of enhanced acoustic specifications.

DuraSystem® washbasin frame Special

Product description

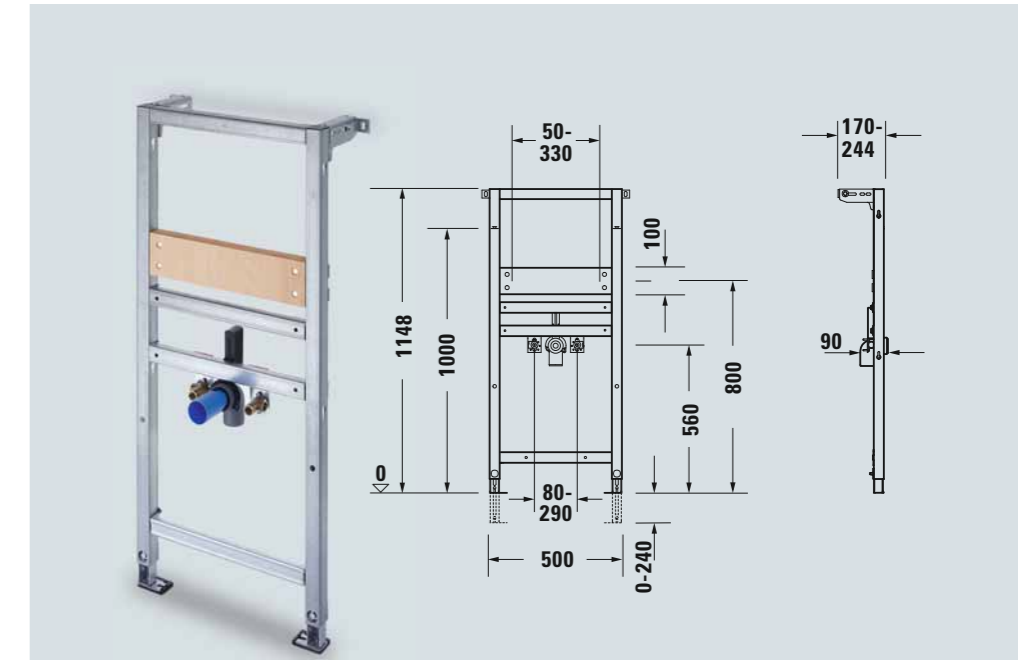
Washbasin frame

- Pre-assembled washbasin frame
- Wooden crossbar for flexible attachment of the ceramic appliance
- Self-supporting
- For dry-wall installation
- Suitable for paneling with plasterboard
- Galvanized frame
- Height-adjustable feet 0 – 240 mm
- Rule mark and centre mark
- Crossbars are height-adjustable

Supplied

- Hanger bolts M10
- Noise-insulation mats G½
- Outlet pipe clamp DN 50
- HT outlet bend DN 50/40
- Installation accessories for installation in a plasterboard wall frame
- Installation accessories for individual installation

Further information on the product see page 18



DuraSystem® installation frame

Washbasin frame special	# WD2002 000 000
-------------------------	------------------

Matching accessories

Extension set 240 mm	# WD6005 000 000
Noise-reduction set for individual installation	# WD6008 000 000
Expansion element	# WD6006 000 000
Support for expansion element	# WD6007 000 000

Note

— Noise-reduction set # WD6008 000 000 is only required in the event of enhanced acoustic specifications.

DuraSystem® washbasin frame for wall-mounted faucets

Product description

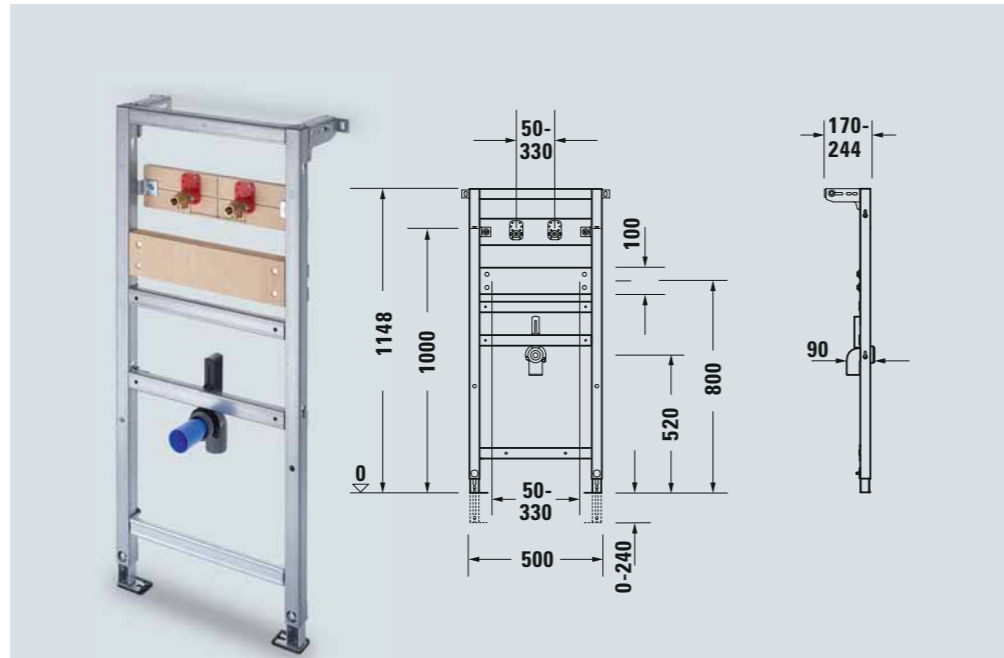
Washbasin frame

- Pre-assembled washbasin frame
- Wooden crossbar for flexible attachment of the ceramic appliance
- For ceramic washbasins without tap platform for wall-mounted faucets
- Self-supporting
- For dry-wall installation
- Suitable for paneling with plasterboard
- Galvanized frame
- Height-adjustable feet 0 – 240 mm
- Rule mark and centre mark
- Crossbars are height-adjustable

Supplied

- Hanger bolts M10
- Noise-insulation mats G½
- Outlet pipe clamp DN 50
- HT outlet bend DN 50/40
- Installation accessories for installation in a plasterboard wall frame
- Installation accessories for individual installation

Further information on the product see page 18



DuraSystem® installation frame

Washbasin frame for wall-mounted faucets	# WD2003 000 000
--	------------------

Matching accessories

Extension set 240 mm	# WD6005 000 000
Noise-reduction set for individual installation	# WD6008 000 000
Expansion element	# WD6006 000 000
Support for expansion element	# WD6007 000 000

Note

— Noise-reduction set # WD6008 000 000 is only required in the event of enhanced acoustic specifications.

DuraSystem® bidet frame

Product description

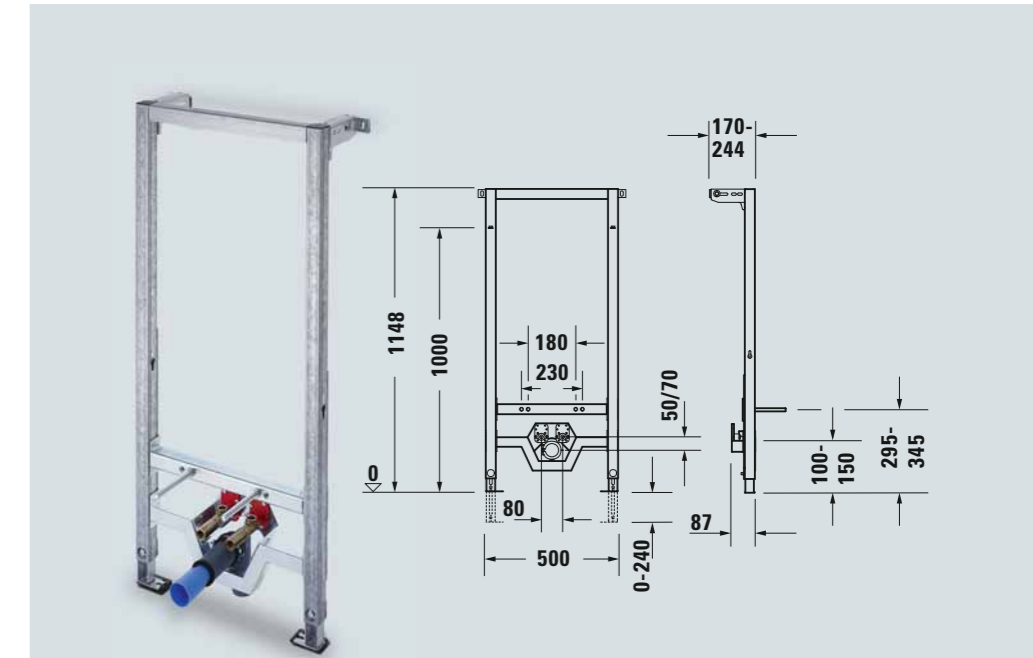
Bidet frame

- Pre-assembled bidet frame for wall-mounted bidet
- Metal crossbar for attaching ceramic appliance
- Self-supporting
- For dry-wall installation
- Suitable for paneling with plasterboard
- Galvanized frame
- Height-adjustable feet 0 – 240 mm
- Rule mark and centre mark
- Crossbars are height-adjustable

Supplied

- Threaded bolts M12
- Noise-insulation mats G½
- Outlet pipe clamp DN 50
- HT outlet bend DN 50/40
- Installation accessories for installation in a plasterboard wall frame
- Installation accessories for individual installation

Further information on the product see page 22



DuraSystem® installation frame

Bidet frame	# WD4001 000 000
-------------	------------------

Matching accessories

Extension set 240 mm	# WD6005 000 000
Noise-reduction set for individual installation	# WD6008 000 000

Note

— Noise-reduction set # WD6008 000 000 is only required in the event of enhanced acoustic specifications.

DuraSystem® actuator plate for toilet General technical information



DuraSystem®
actuator plate A1
WD5001 011 000
white plastic



DuraSystem®
actuator plate A1
WD5001 021 000
plastic high-gloss chrome



DuraSystem®
actuator plate A1
WD5002 012 000
white tempered safety glass



DuraSystem®
actuator plate A2
WD5003 012 000
with infrared proximity electronics
white tempered safety glass

Functions of actuator plate A2 for toilet Manual operation

The basic functions – large and small flush, odour extraction – can be selected directly via the corresponding symbols on the actuator plate. The odour extraction function is only available in combination with the toilet frame # WD1004 000 000.



Contact-free operation

The basic functions can also be selected contact-free from a distance of around 1 cm in front of the actuator plate. When inactive, the actuator plate is not lit (unless the nightlight is activated); the symbols on the plate only light up when someone approaches. The user-detection range can be adapted to the specific circumstances.

Setting with the supplied remote control

- Flush volume: large or small flush
- Auto-flush (activate/deactivate)
- Hygienic flush: (Starting point, number of flushes, flushing intervals)
- Odour extraction (automatic/manual/run-on time/extraction capacity)
- Nightlight (activate/deactivate)
- Locking function (activate/deactivate)
- Detection zones: Set range (close-up area approx. 20 – 60 cm or long-distance area approx. 60 – 100 cm)
- Reset: restore any settings made to factory settings

Additional features

- Auto-flush: A large flush is triggered automatically if the user leaves the toilet without flushing
- Hygienic flush: To avoid stagnant water in the feed system, regular automatic flushes are performed when the toilet is not in use
- Nightlight: All the buttons are illuminated permanently for orientation purposes when the light is dim
- The nightlight function switches on or off automatically, depending on the ambient light

- Cleaning function: In order to ensure that no flush is performed during cleaning, flushing can be suspended for 2 minutes via this key combination (press and hold large flush and small flush for 3 seconds)
- Locking function: prevents “playing” with the actuator plate and the resulting increase in water consumption. If the actuator plate is pressed at short intervals (5 × within 2 minutes), the buttons fade out for 2 minutes, and the functions are disabled for this period

Protection and safety

In the event of mains power supply outage, the system immediately switches to emergency power (battery operation), and various functions are automatically deactivated to reduce the power required. The LEDs integrated in the actuator plate display the current battery status, so batteries can be replaced in time should this be necessary.



Here's the video of how the actuator plate A2 works.
www.duravit.com/durasystem

DuraSystem® actuator plates for urinal General technical information



DuraSystem®
actuator plate A1
WD5004 011 000
white plastic



DuraSystem®
actuator plate A1
WD5004 021 000
plastic high-gloss chrome



DuraSystem®
actuator plate A1
WD5005 012 000
white tempered safety glass



DuraSystem®
actuator plate A2
WD5006 013 000 battery-operated
WD5007 013 000 mains operation
with infrared proximity electronics
die-cast zinc white



DuraSystem®
actuator plate A2
WD5006 023 000 battery-operated
WD5007 023 000 mains operation
with infrared proximity electronics
die-cast zinc high-gloss chrome

Functions of actuator plate A2 for urinals with infrared proximity electronics

Approaching users are detected by an infrared sensor, and a flush is automatically triggered after a given period of time. The infrared proximity electronics are located on the reverse of the actuator plate: The basic functions can be set and altered via a membrane keypad and the electronics restored to factory settings.

Basic features

- Pre-flush*: In addition to the main flush, a pre-flush can be activated that is triggered as soon as a user enters the detection zone
- Main flush: duration of flush can be set for 2 – 10 seconds
- Detection zone: configurable range of approx. 40 – 110 cm
- The reset function enables any settings made to be restored to factory settings
- All basic and additional functions can also be controlled via the supplied remote control

Additional features

- Dynamic flush volume: With high user frequency, the flush duration for the main flush is automatically reduced, reducing water consumption
- Hygienic flush: Flush volume and flush interval can be configured
- To avoid stagnant water in the feed system, regular automatic flushes are performed when the urinal is not in use
- Cleaning function*: Forced interruption of the main flush for urinal cleaning, or when cleaning agents have been applied
- Cleaning flush*: Triggers a forced flush to clean the urinal of cleaning agents



Surface-mounted installation

With this classic installation type, the actuator plate is placed wholly over the surface, e.g. tiles. Installation frames and accessories are supplied.

Installation with locking screw

Secures the actuator plates at the installation point and enhances safety in the public/semi-public area.

* not with battery operation.
Reduced functionality to conserve battery capacity.



Surface-mounted installation

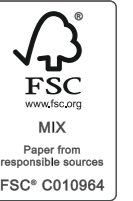
With this classic installation type, the actuator plate is placed wholly over the surface, e.g. tiles. All actuator plates A1 and A2 can be installed in this installation variant. Installation frames and accessories are supplied.



Flush-mounted installation

The actuator plate can be fully integrated into the wall using an installation frame that can be ordered separately. Only available for A1 in plastic white and plastic high-gloss chrome. Essential for initial structural construction. Suitable for dry-wall paneling with a minimum thickness of 25 mm.

DuraSystem® remote control for toilet and urinal Actuator plates A2



Remote control for toilet

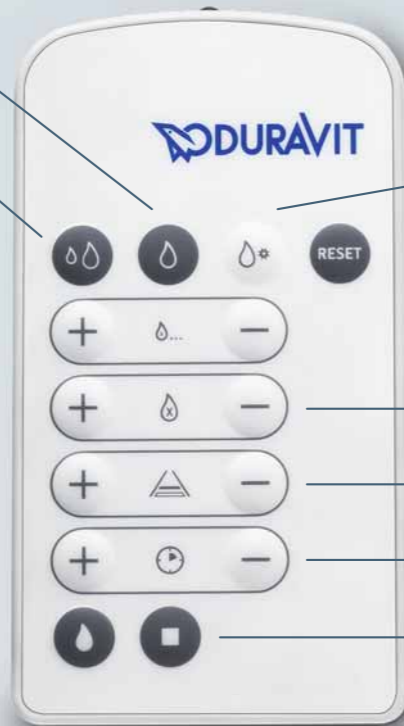
- Large flush volume
- Small flush volume
- Fan speed
- Fan run-on time
- Hygienic flush
- Number of flushes
- Close-up area
- Long-distance area
- Increase (Plus)
- Reduce (Minus)



- Auto-flush
- Reset
- Odour extraction (Auto)
- Interval period
- Alter starting-point
- Locking function
- Nightlight
- On
- Off

Remote control for urinal

- Activate/deactivate hygienic flush
- Dynamic flush volume
- Automatic reduction of flushing time to reduce water consumption with high user frequency
- Pre-flush time
- Amend the flush duration (0 - 4 seconds)
- Main flush time
- Amend the flush duration (2 - 10 seconds)
- Cleaning flush
- Forced flush to rinse away cleaning agents (1 x 10 seconds)



- Settings for hygienic flush (pre-selection)
- Reset button
- Hygienic flush frequency
- Number of flushes (e.g. 3 flushes)
- Detection zone
- Change distance (40 - 120 cm)
- Time interval hygienic flush
- Number of intermediate flushes in the case of disuse (e.g. once per day or every three days)
- Cleaning function
- Forced interruption of automatic flush activation to allow for cleaning (30 minutes)